

Help Us Find The Right Product For You

Please fill out the following questions

This will help us determine the correct product for your home.

Fuel: What type of fuel are you interested in heating with?

WOOD GAS PELLET

Heater Type: What type of product are you interested in?

FREESTANDING STOVE FIREPLACE INSERT BUILT-IN FIREPLACE

Heating Area: How big of an area do you wish to heat?

My home is more than one story? _____

I want to heat my entire home: Size of Home (Sq. Feet) _____

I only want to heat part of my home: Size of Zone (Sq. Feet) _____

How high is the ceiling in the room the heater will be installed? _____

How many windows are in the room in which the heater will be installed? _____

If you are interested in a Freestanding Stove:

Where in the home do you want to install the stove? _____

Are you replacing an old stove or adding a new one?

If gas, do you want the chimney to exit through the roof or through an exterior side wall?

If you are interested in a Fireplace Insert:

Is your fireplace masonry or metal (zero clearance)

Where is the existing fireplace located in your home? _____

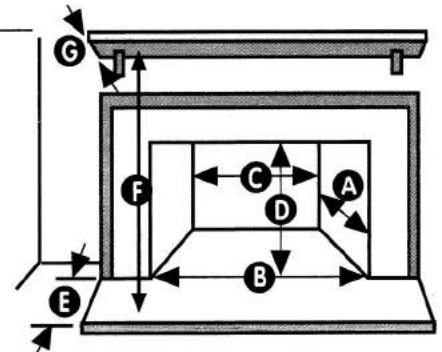
Please write down the measurements of your existing fireplace

A = Depth of Fireplace _____ E = Hearth Extension _____

B = Width in Front _____ F = Height to Mantle _____

C = Width at Back _____ G = Depth of Mantle _____

D = Height of Opening _____



If you are interested in a Fireplace:

Is the fireplace for new construction or remodel?

Where in the house do you want to install the fireplace? _____

If gas, do you want the chimney to exit through the roof or through an exterior side wall.



848 Danbury Road
Wilton, CT 06897

Phone: 203-544-8111

Fax: 203-544-8130

Store Hours:

Monday-Friday

10:00am-5:00pm

Saturday

9:00am-4:00pm

YANKEE DOODLE STOVES